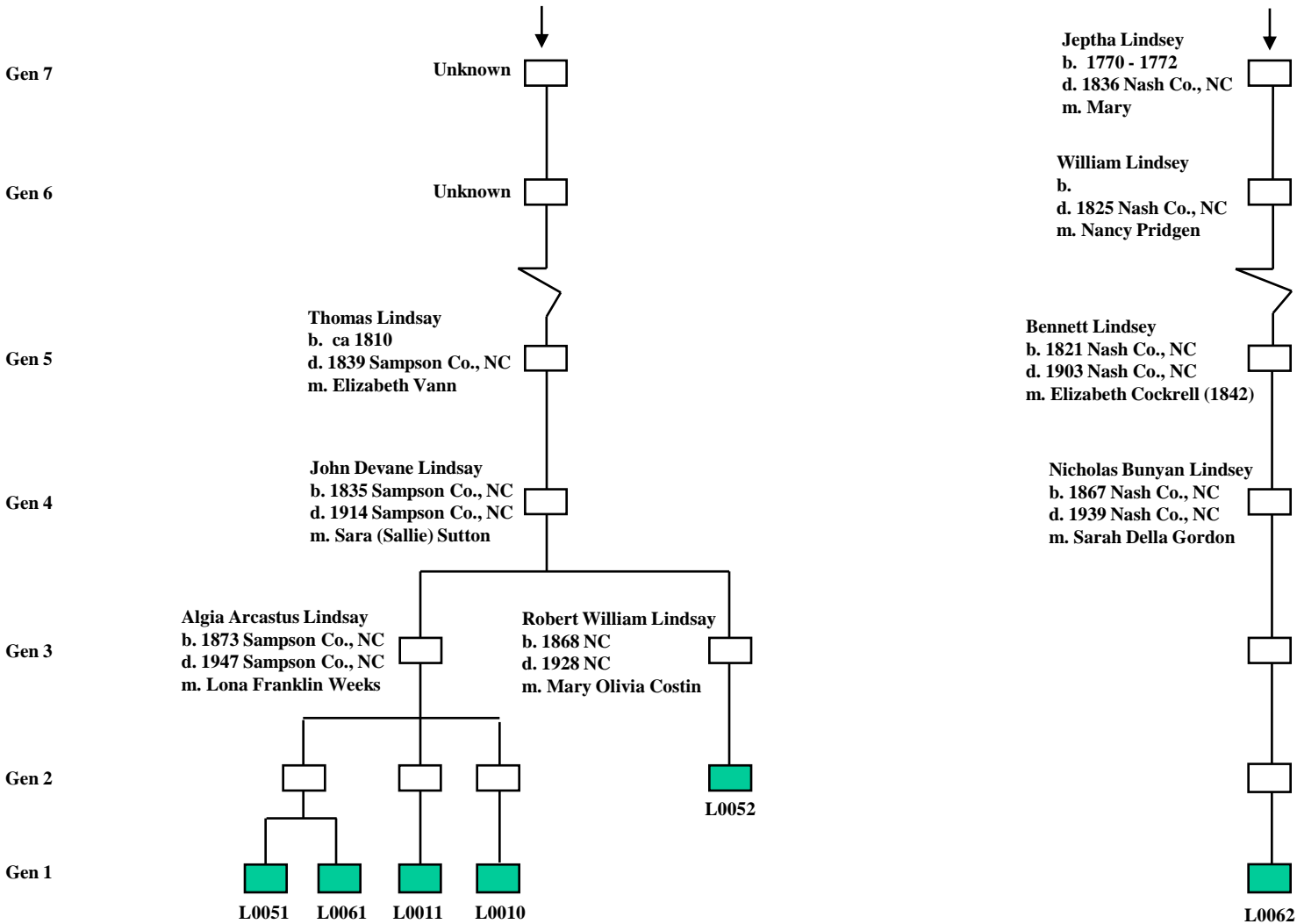


# Composite Lindsay/Lindsey/Linzey DNA Group 3

## Most Recent Common Ancestor Analysis ( Page 1 of 20 )

*Lindsay*  
*Lineage # 1*  
*(See page 6 for expanded genealogy)*

*Lindsey*  
*Lineage # 2*  
*(See page 7 for expanded genealogy)*



■ DNA Project Participants

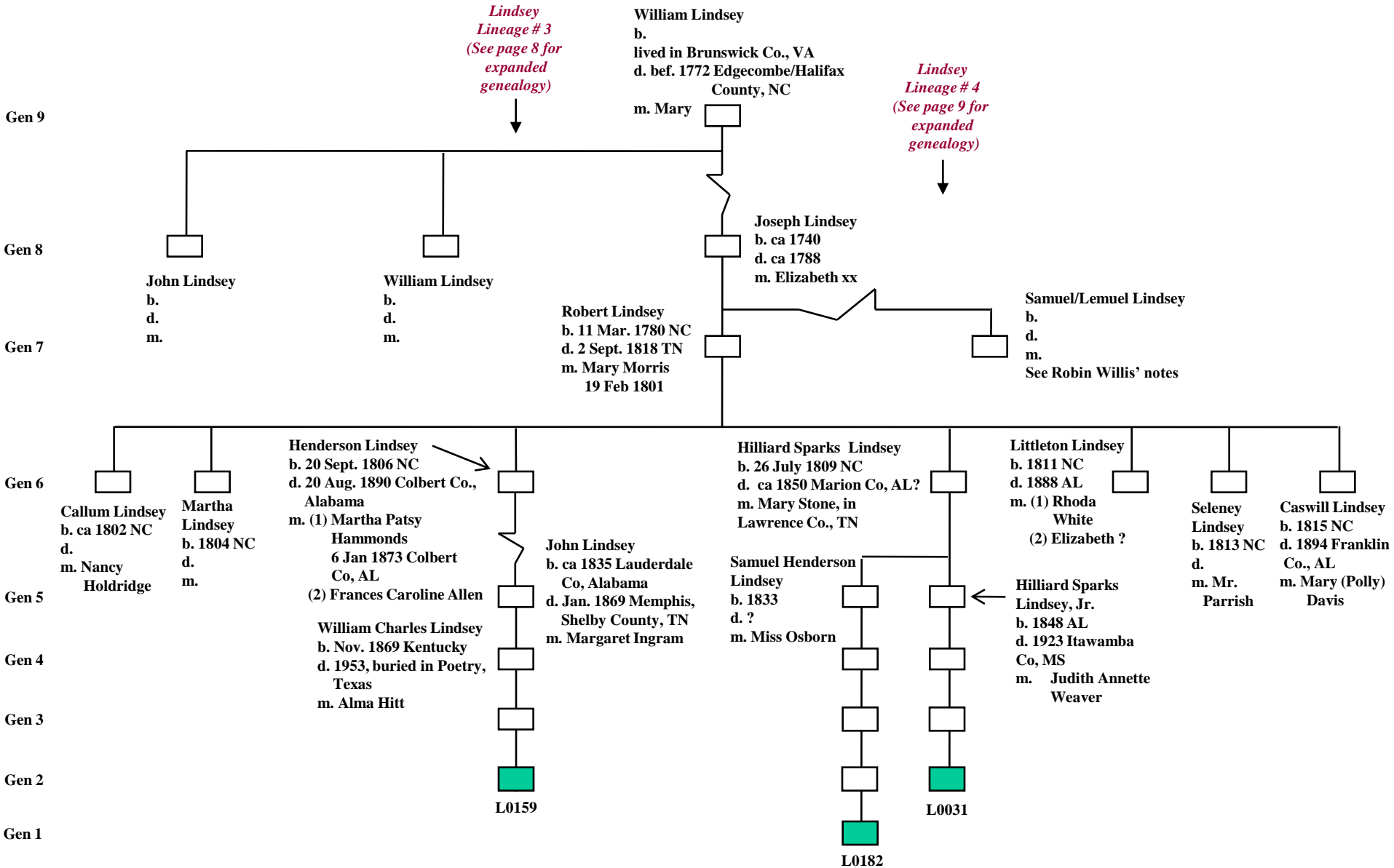


Lineage unproven above/beyond this symbol

Last Updated: Nov 10, 2008

# Composite Lindsay/Lindsey/Linzey DNA Group 3

## Most Recent Common Ancestor Analysis ( Page 2 of 20 )



■ DNA Project Participants

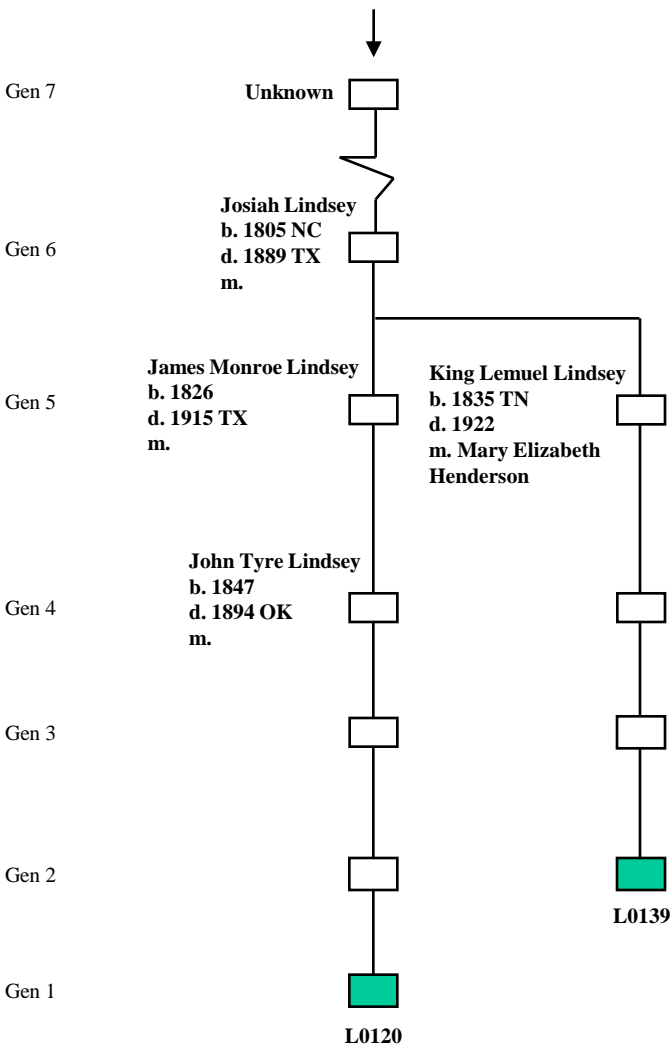
⚡ Lineage unproven above/beyond this symbol

Last Updated: November 10, 2008

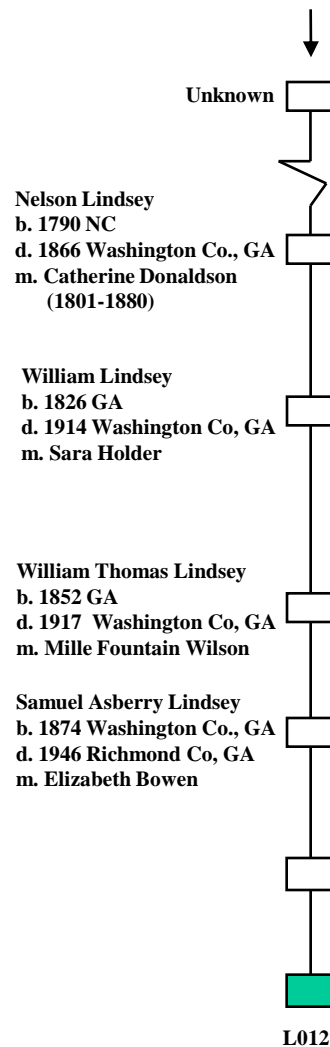
# Composite Lindsay/Lindsey/Linzey DNA Group 3

## Most Recent Common Ancestor Analysis

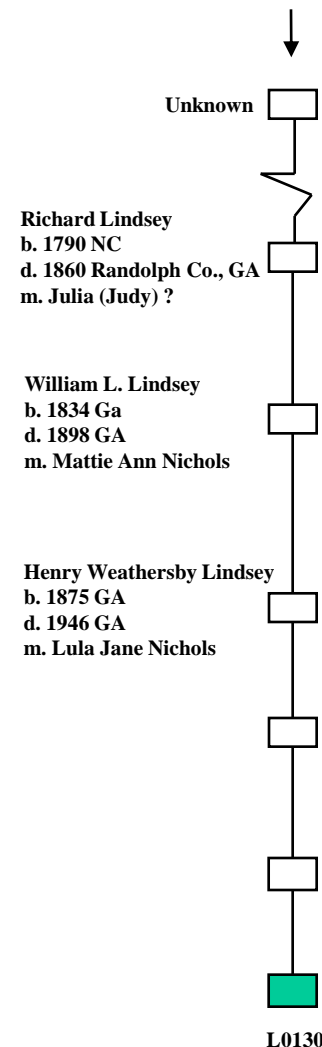
*Lindsey*  
*Lineage # 5*  
*See page 10 for expanded genealogy*



*Lindsey*  
*Lineage # 6*  
*See page 11 for expanded genealogy*



*Lindsey*  
*Lineage # 7*  
*See page 12 for expanded genealogy*



DNA Project Participants

Lineage unproven above this symbol

# Composite Lindsay/Lindsey/Linzey DNA Group 3

## Most Recent Common Ancestor Analysis

( Page 4 of 20 )

Gen 7

Gen 6

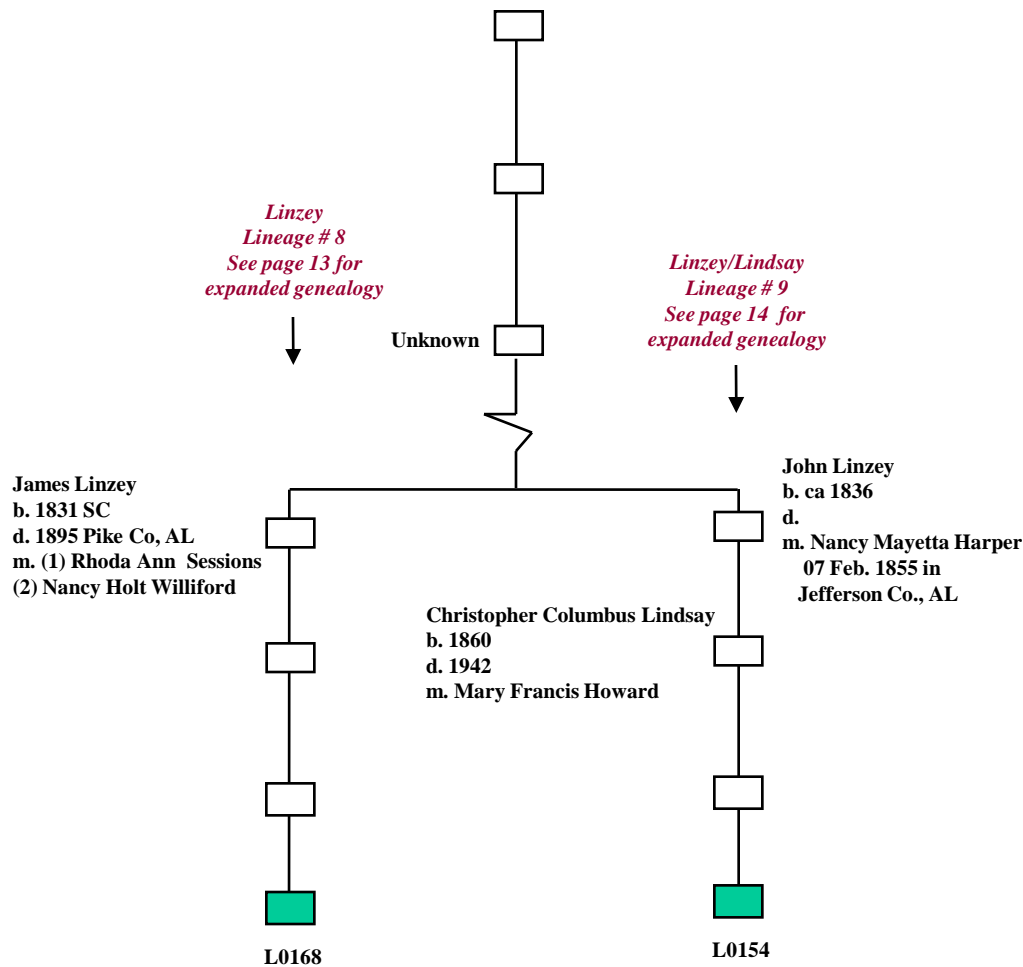
Gen 5

Gen 4

Gen 3

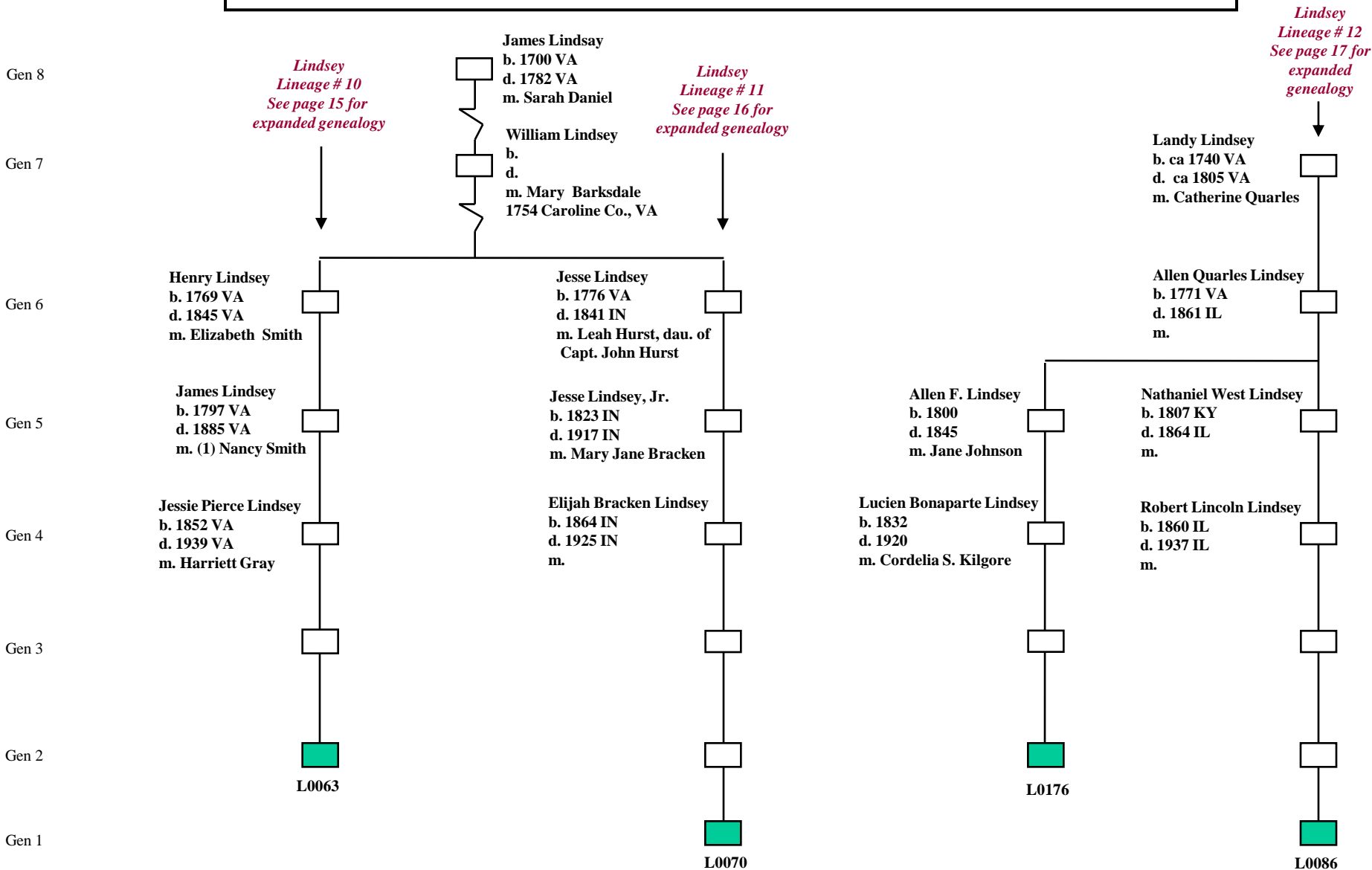
Gen 2

Gen 1



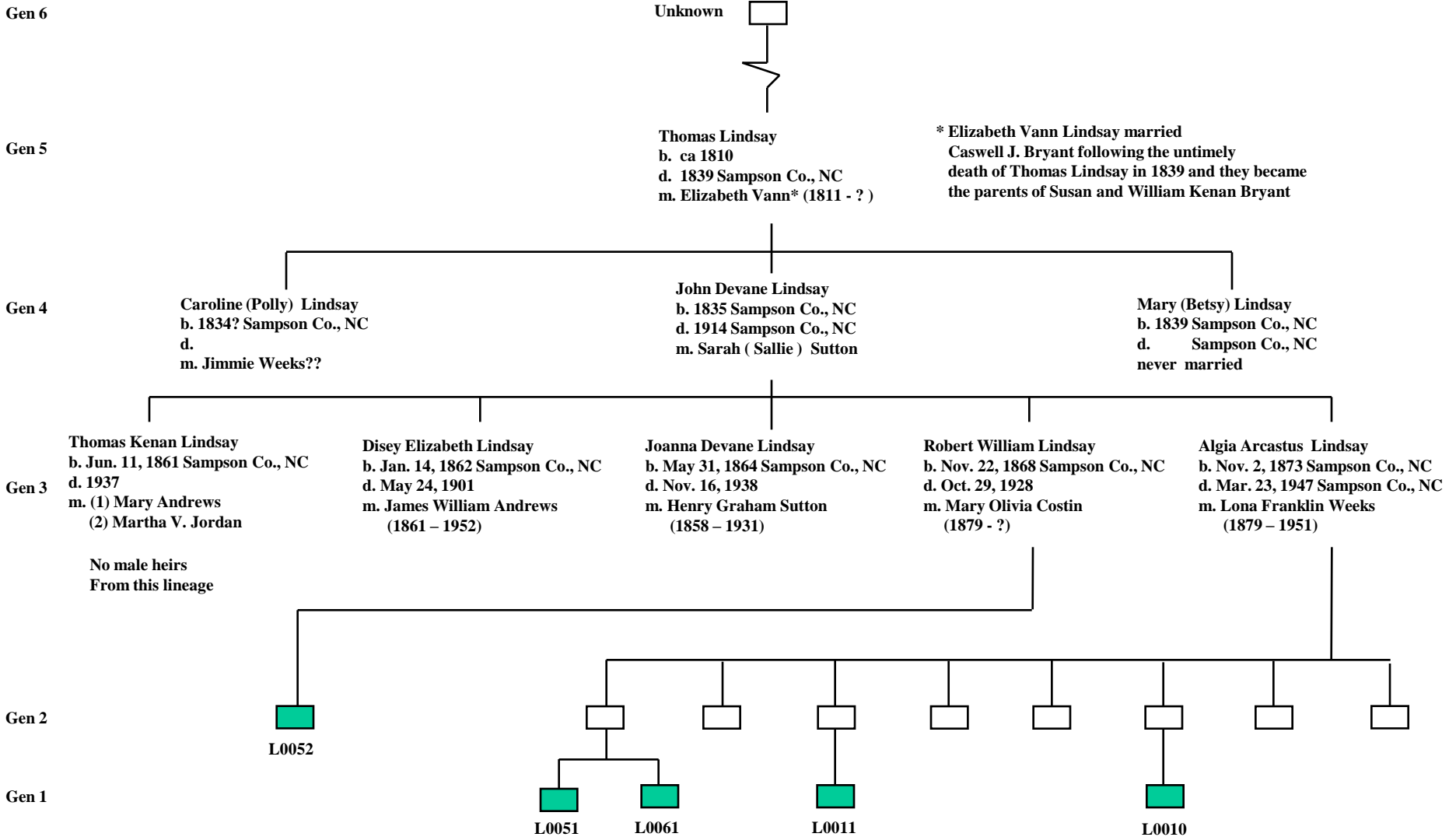
# Composite Lindsay/Lindsey/Linzey DNA Group 3

## Most Recent Common Ancestor Analysis ( Page 5 of 20 )



# Lindsay/Lindsey/Linzey DNA Group 3 – MRCA Analysis

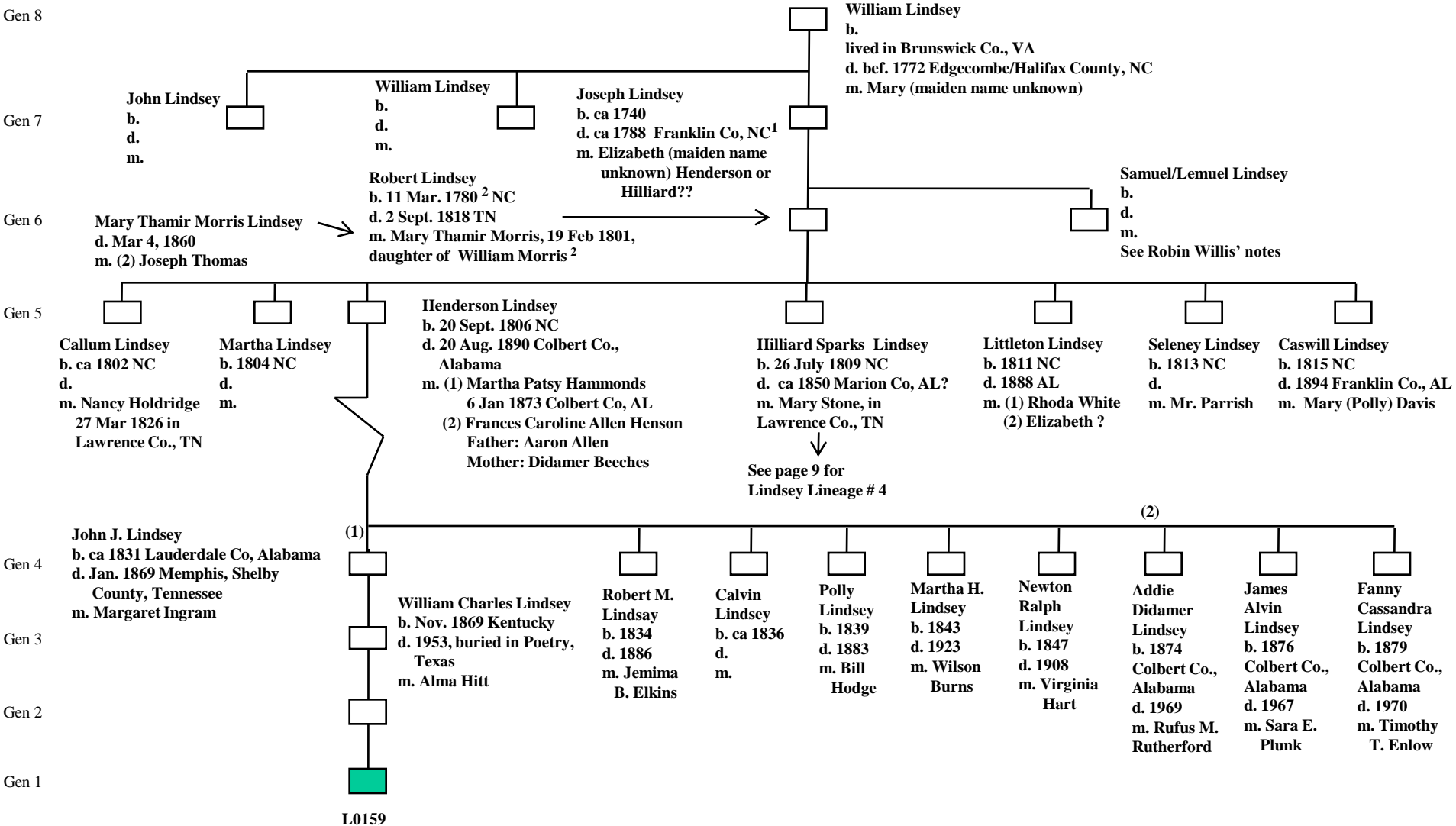
## Lindsays of Sampson County, NC – Expanded Lineage # 1 ( Page 6 of 20 )





# Lindsay/Lindsey/Linzey DNA Group 3 – MRCA Analysis

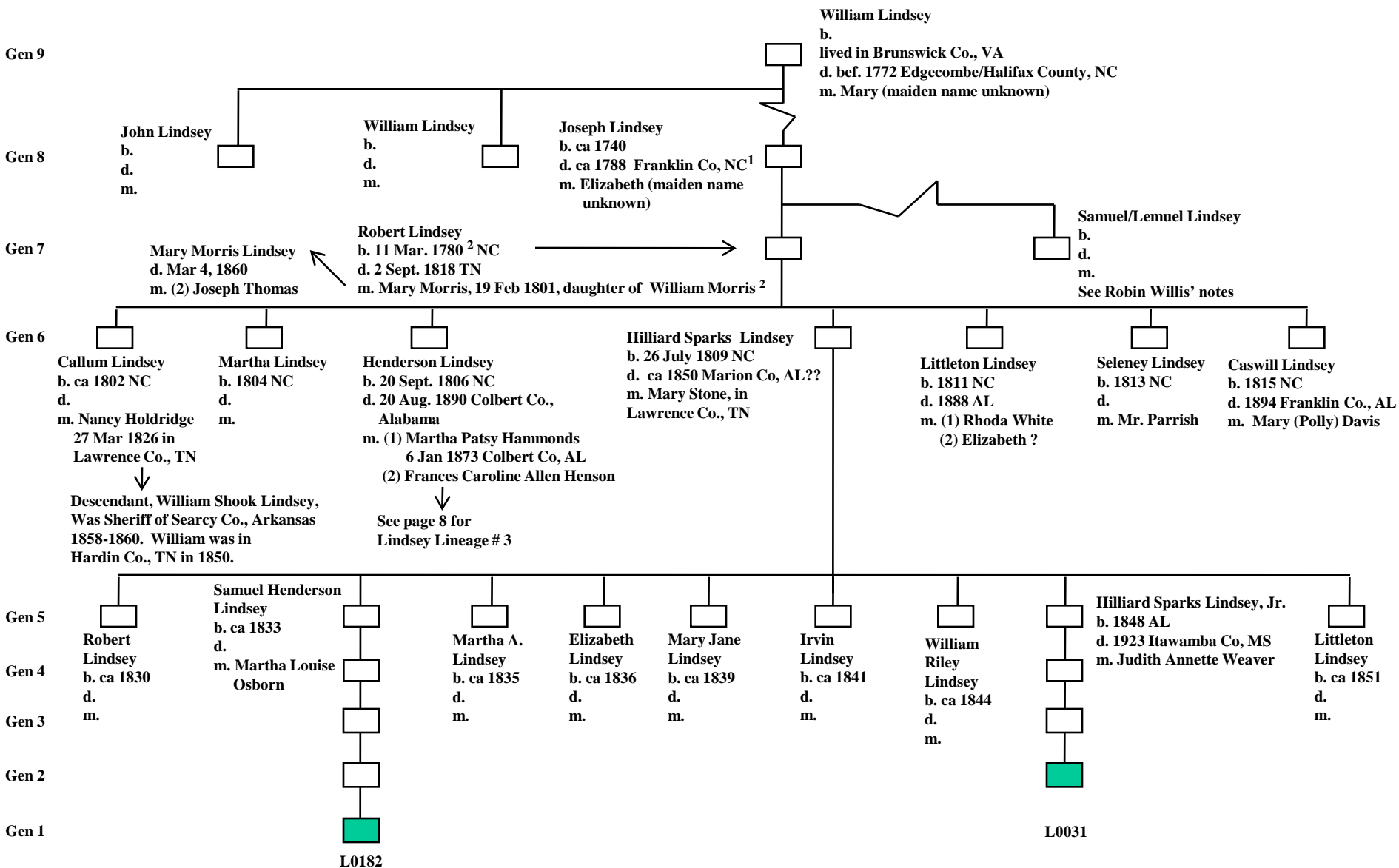
## Lindseys of Alabama & Texas - Expanded Lineage # 3 ( Page 8 of 20 )



# Lindsay/Lindsey/Linzey DNA Group 3 – MRCA Analysis

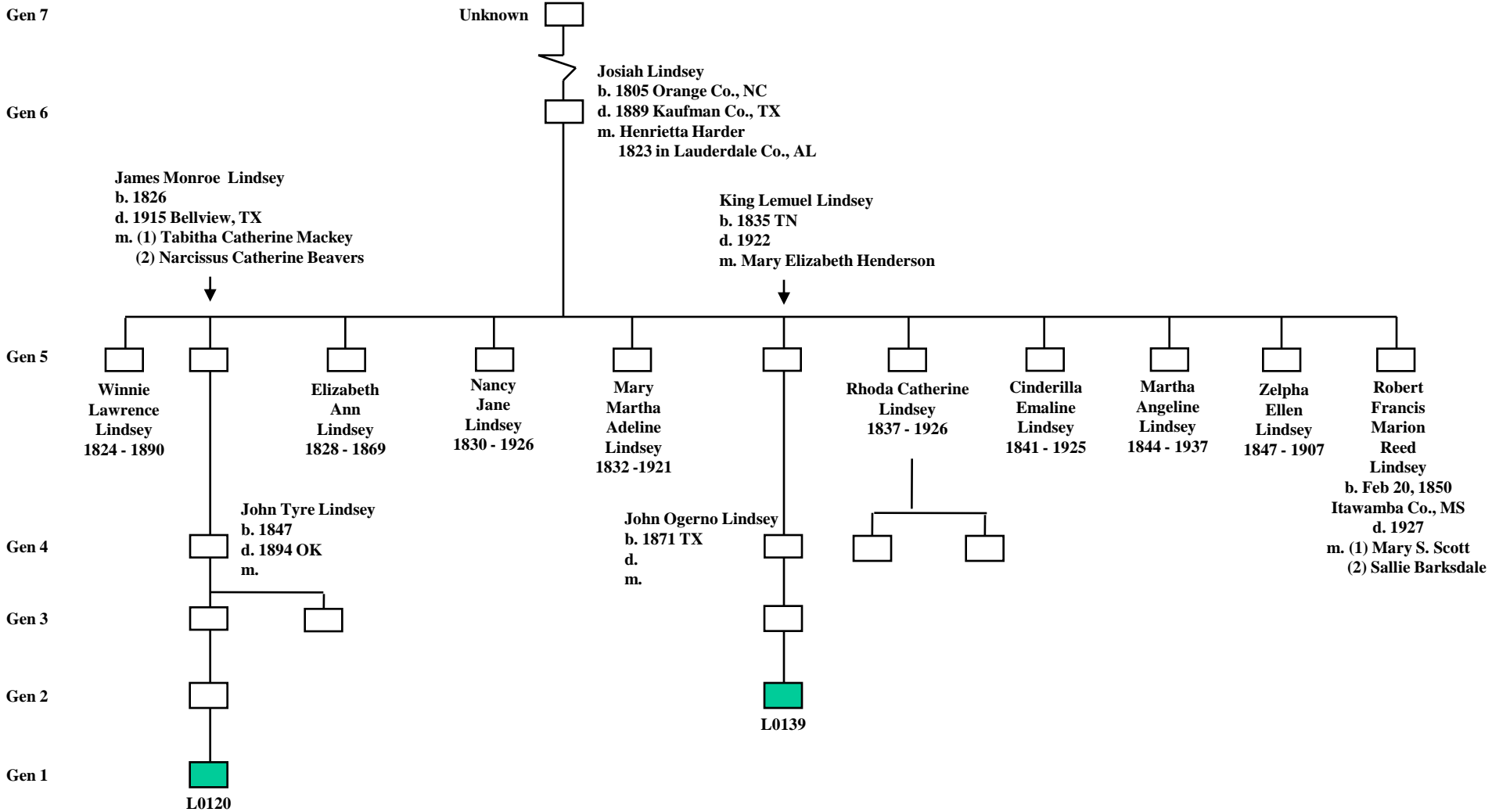
## Lindseys of Itawamba County, Mississippi - Expanded Lineage # 4

( Page 9 of 20 )



# Lindsay/Lindsey/Linzey DNA Group 3 – MRCA Analysis

## Lindseys of Kaufman County, Texas - Expanded Lineage # 5

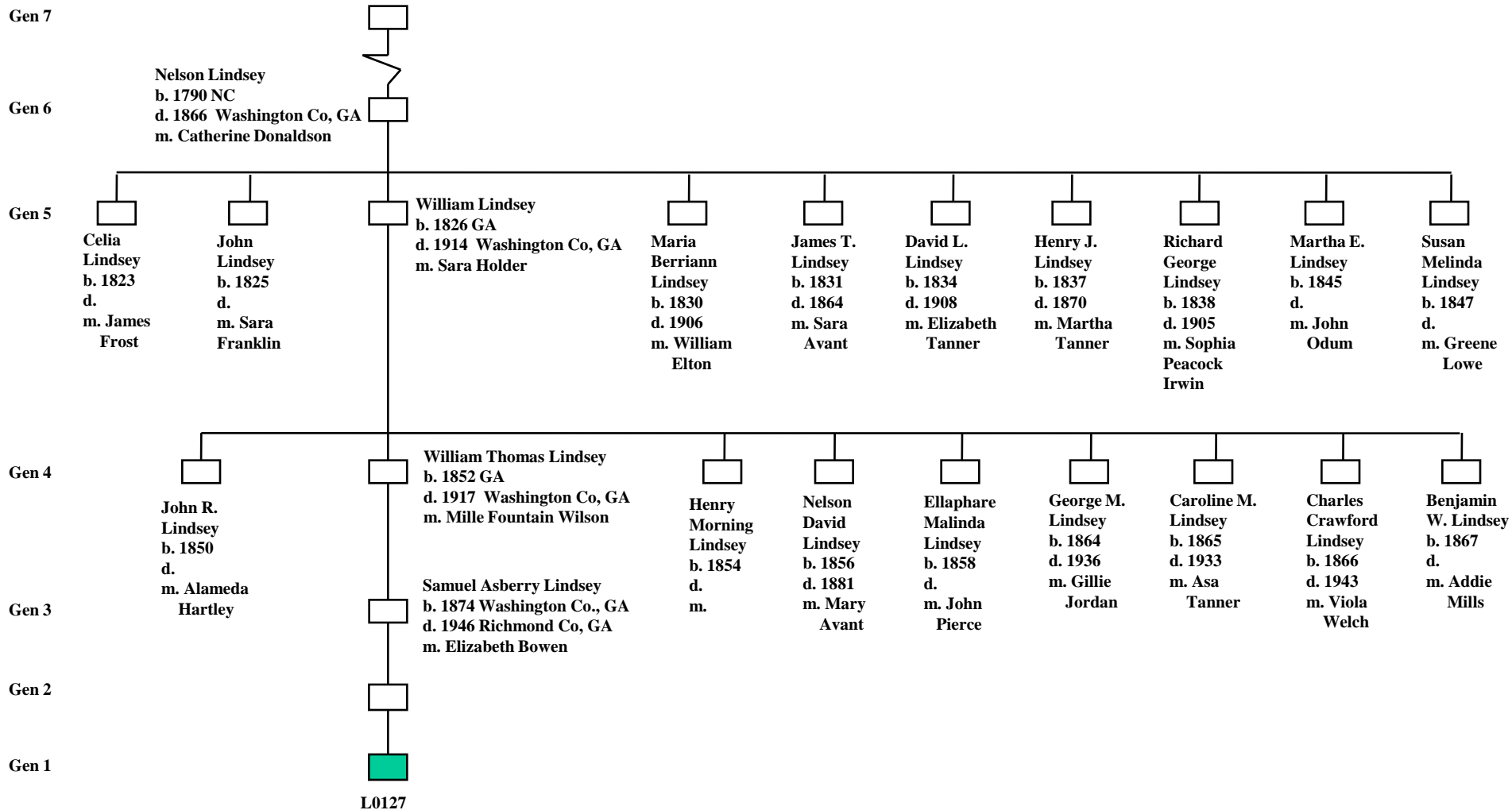


■ DNA Project Participants

⚡ Lineage unproven above this symbol

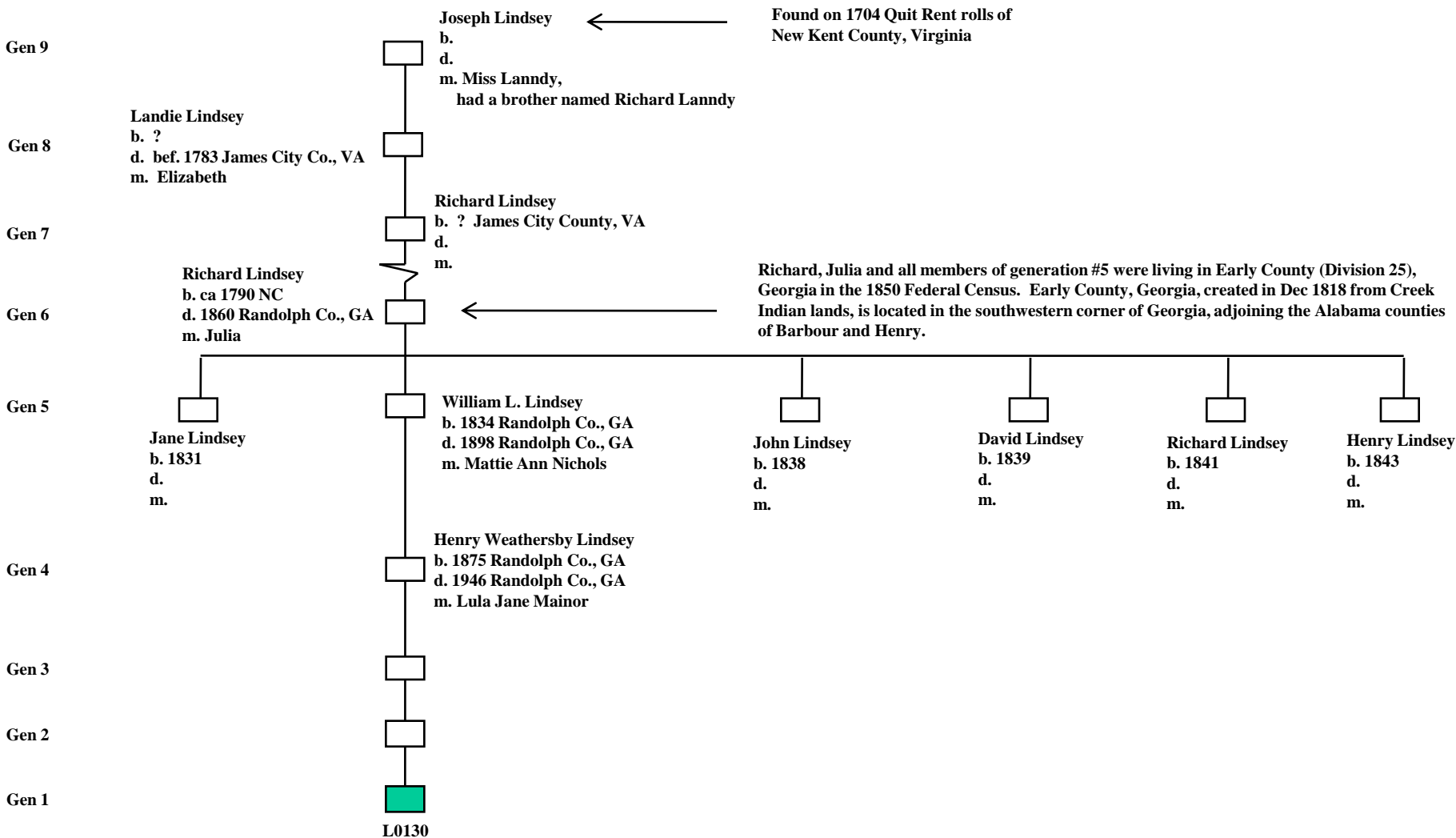
# Lindsay/Lindsey/Linzey Group 3 – MRCA Analysis

## Lindseys of Washington County, Georgia - Expanded Lineage # 6



# Lindsay/Lindsey/Linzey DNA Group 3 – MRCA Analysis

## Lindseys of Randolph County, Georgia - Expanded Lineage # 7 ( Page 12 of 20)



DNA Project Participants

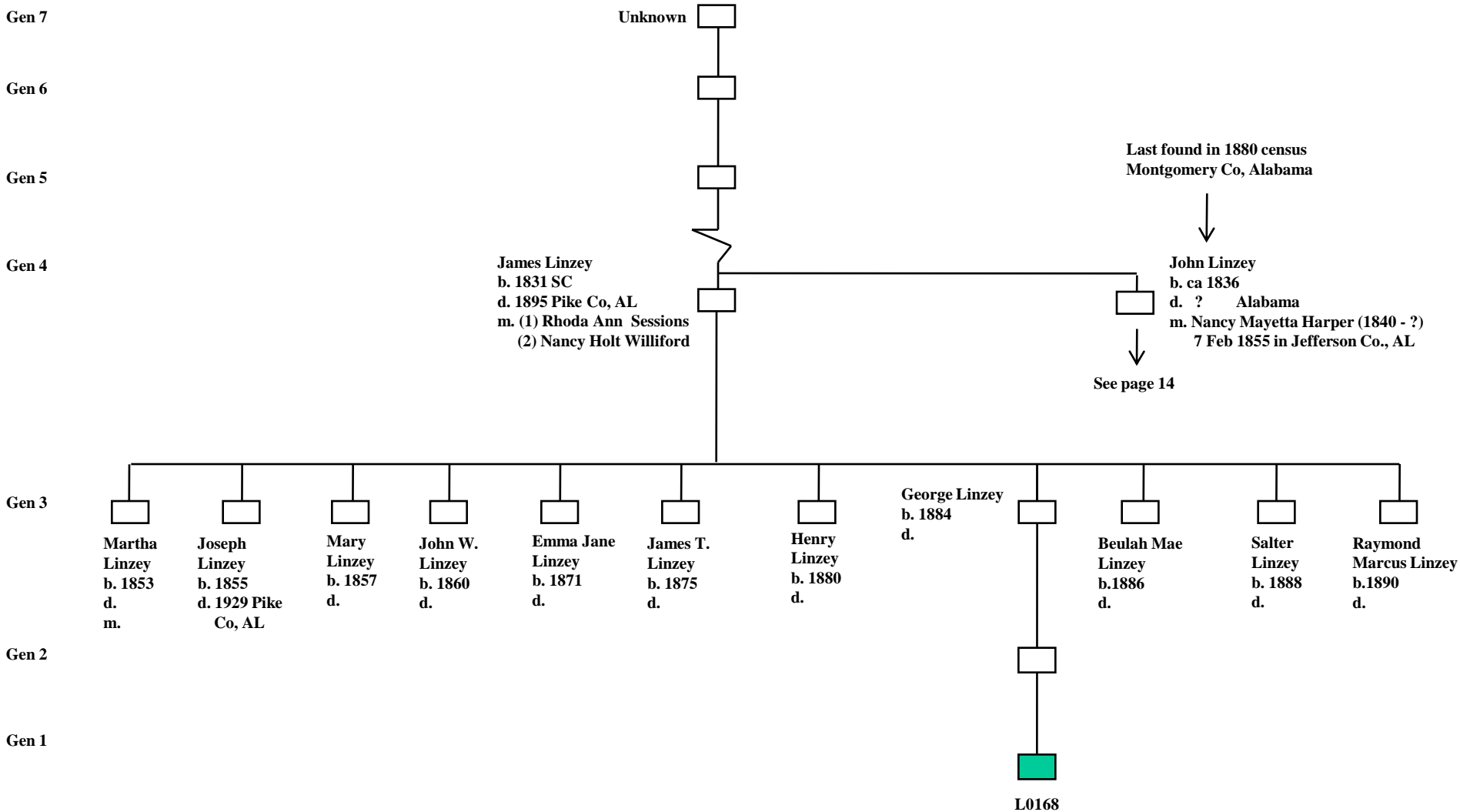
Lineage unproven above this symbol

Last Updated: Nov. 10, 2008

# Lindsay/Lindsey/Linzey DNA Group 3 – MRCA Analysis

## Linzeys of Pike County, Alabama - Expanded Lineage # 8

( Page 13 of 20 )



DNA Project Participants

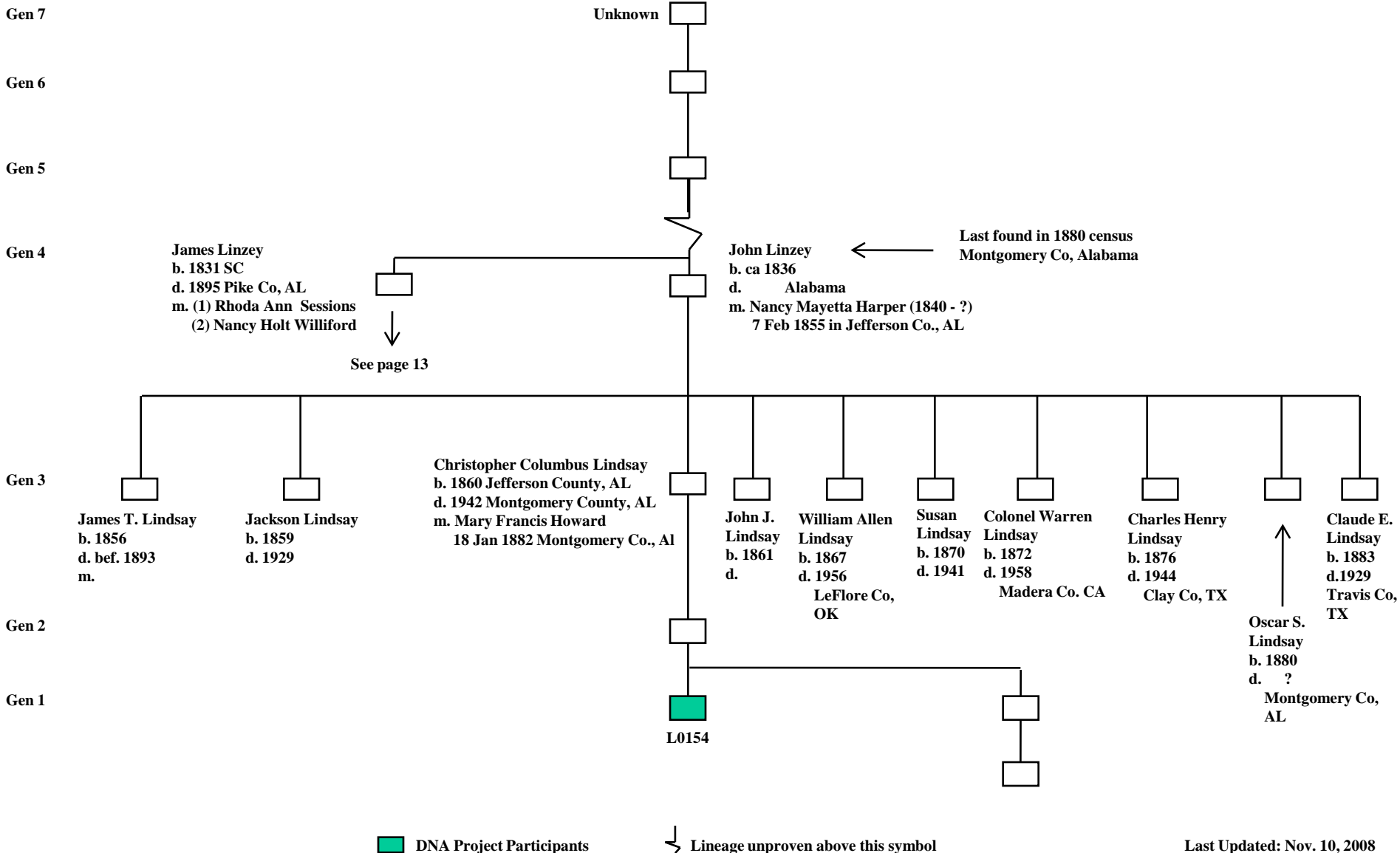
Lineage unproven above this symbol

Last Updated: Nov. 10, 2008

# Lindsay/Lindsey/Linzey DNA Group 3 – MRCA Analysis

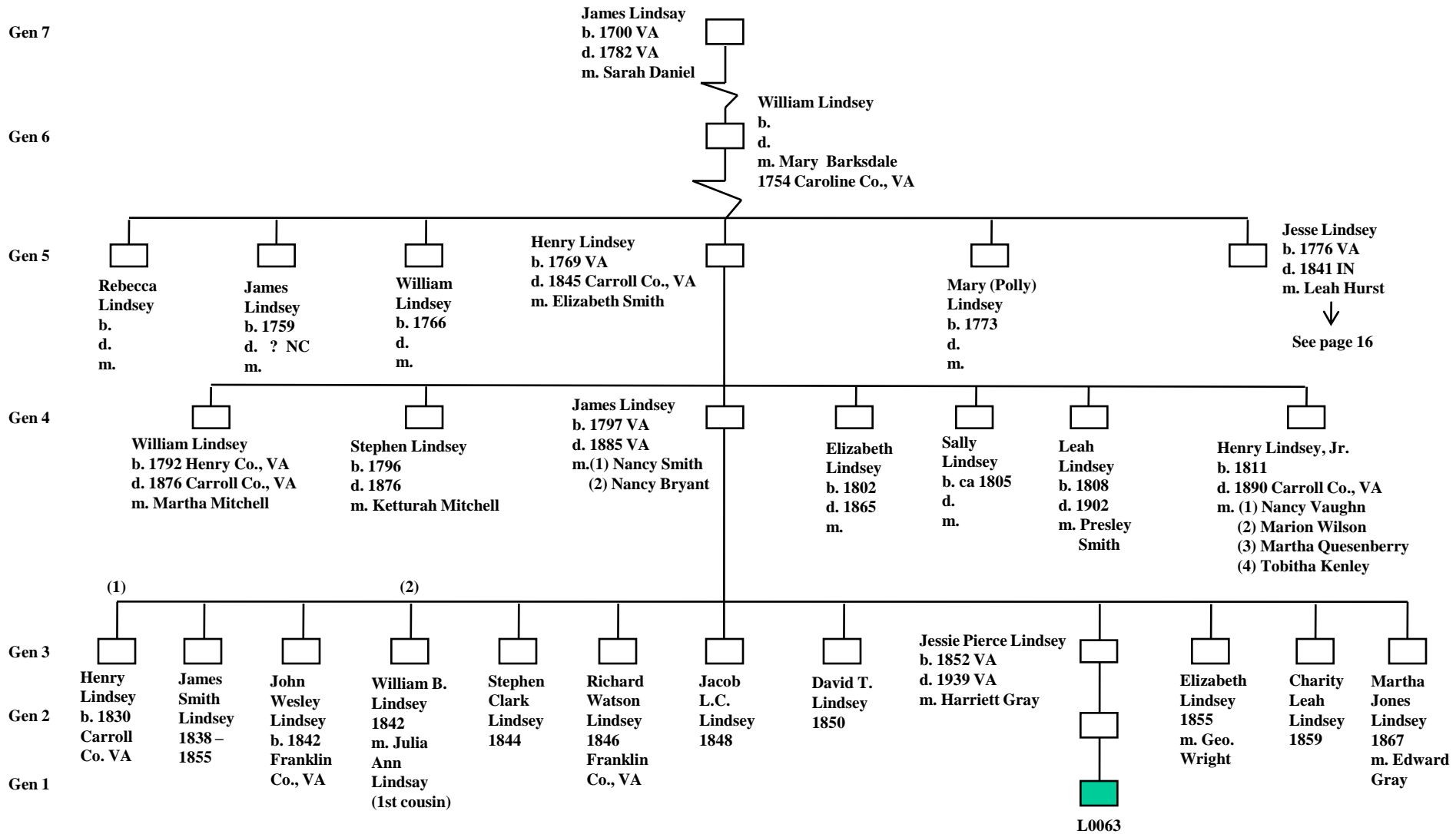
## Linzeys/Lindsays of Jefferson & Montgomery Counties, Alabama

### Expanded Lineage # 9



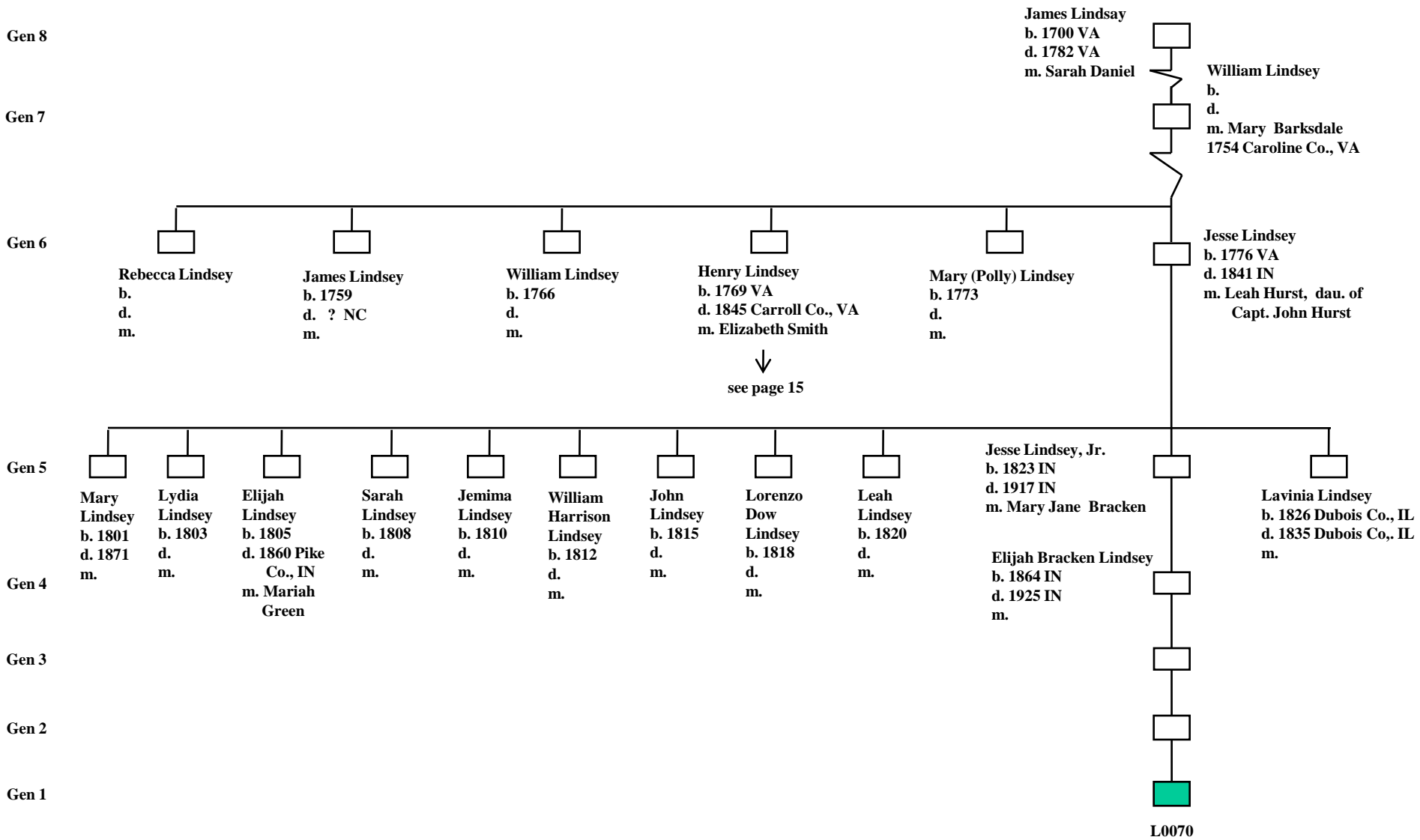
# Lindsay/Lindsey/Linzey DNA Group 3 – MRCA Analysis

## Lindseys of Carroll County, VA - Expanded Lineage # 10



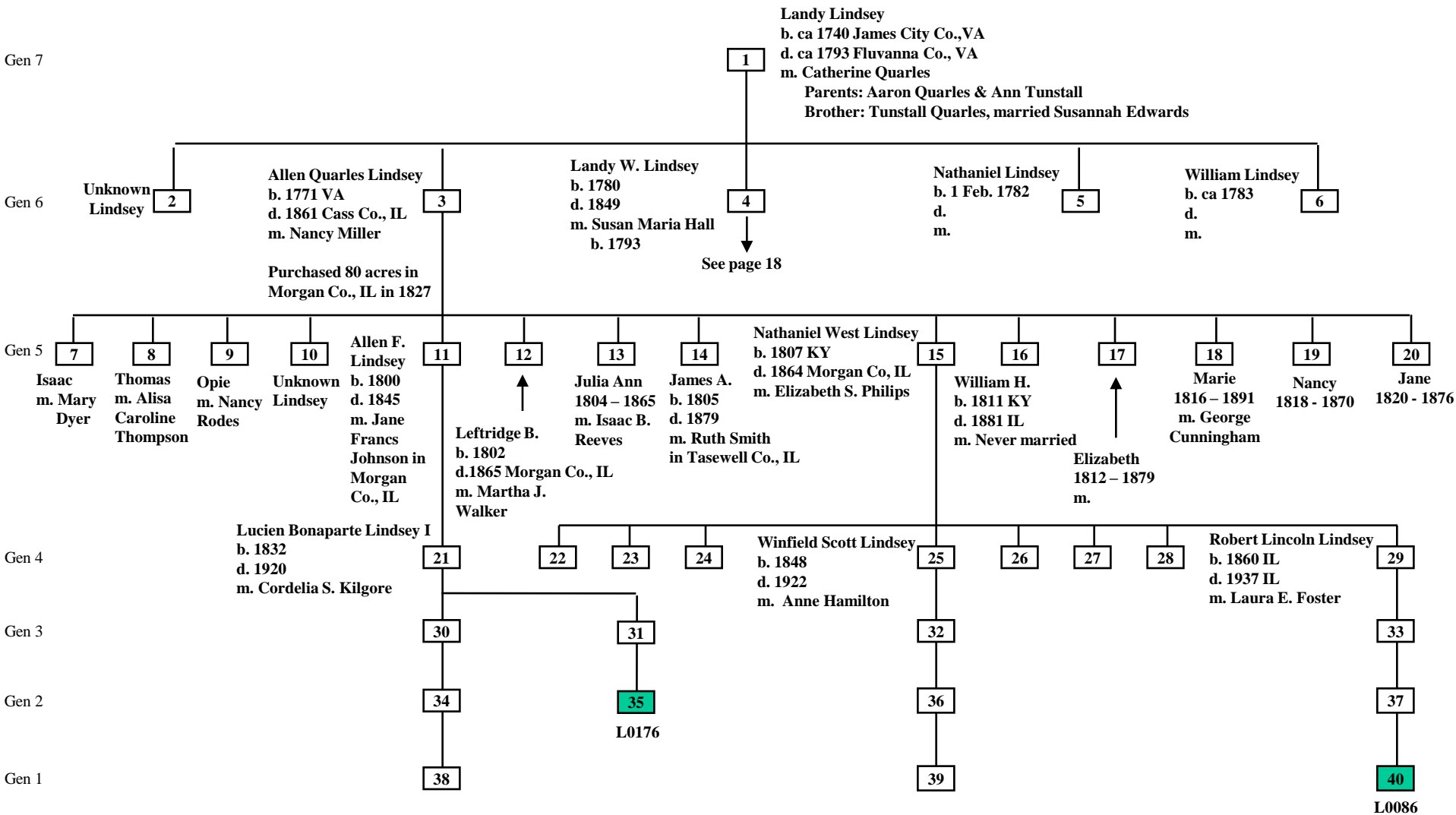
# Lindsay/Lindsey/Linzey DNA Group 3 – MRCA Analysis

## Lindseys of Carroll County, VA - Expanded Lineage # 11



# Lindsay/Lindsey/Linzey DNA Group 3 – MRCA Analysis

## Lindseys of Fluvanna County, VA - Expanded Lineage # 12 ( Page 17 of 20 )

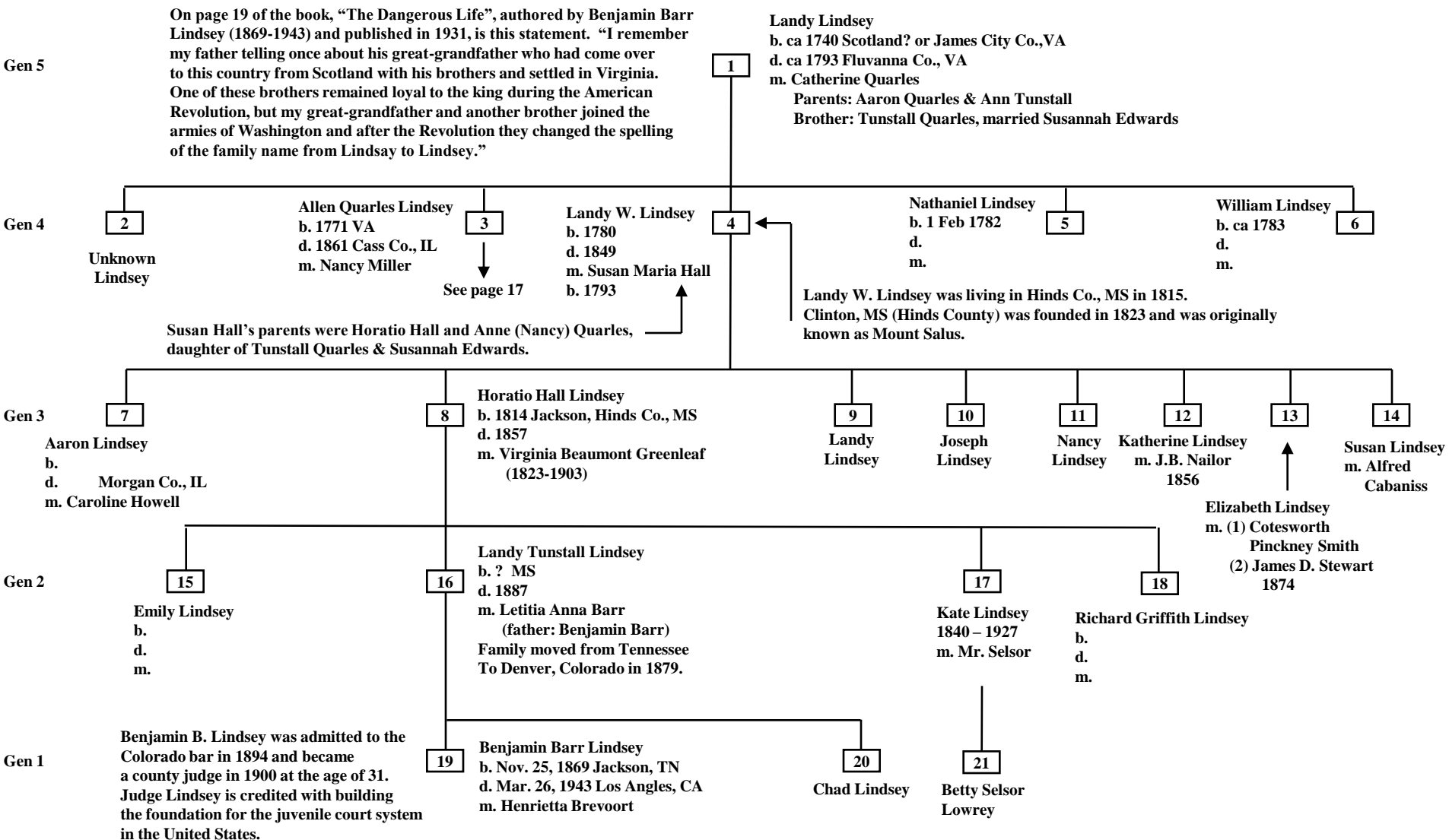


  DNA Project Participants

↙ Lineage unproven above this symbol

# Lindsay/Lindsey/Linzey DNA Group 3 – MRCA Analysis

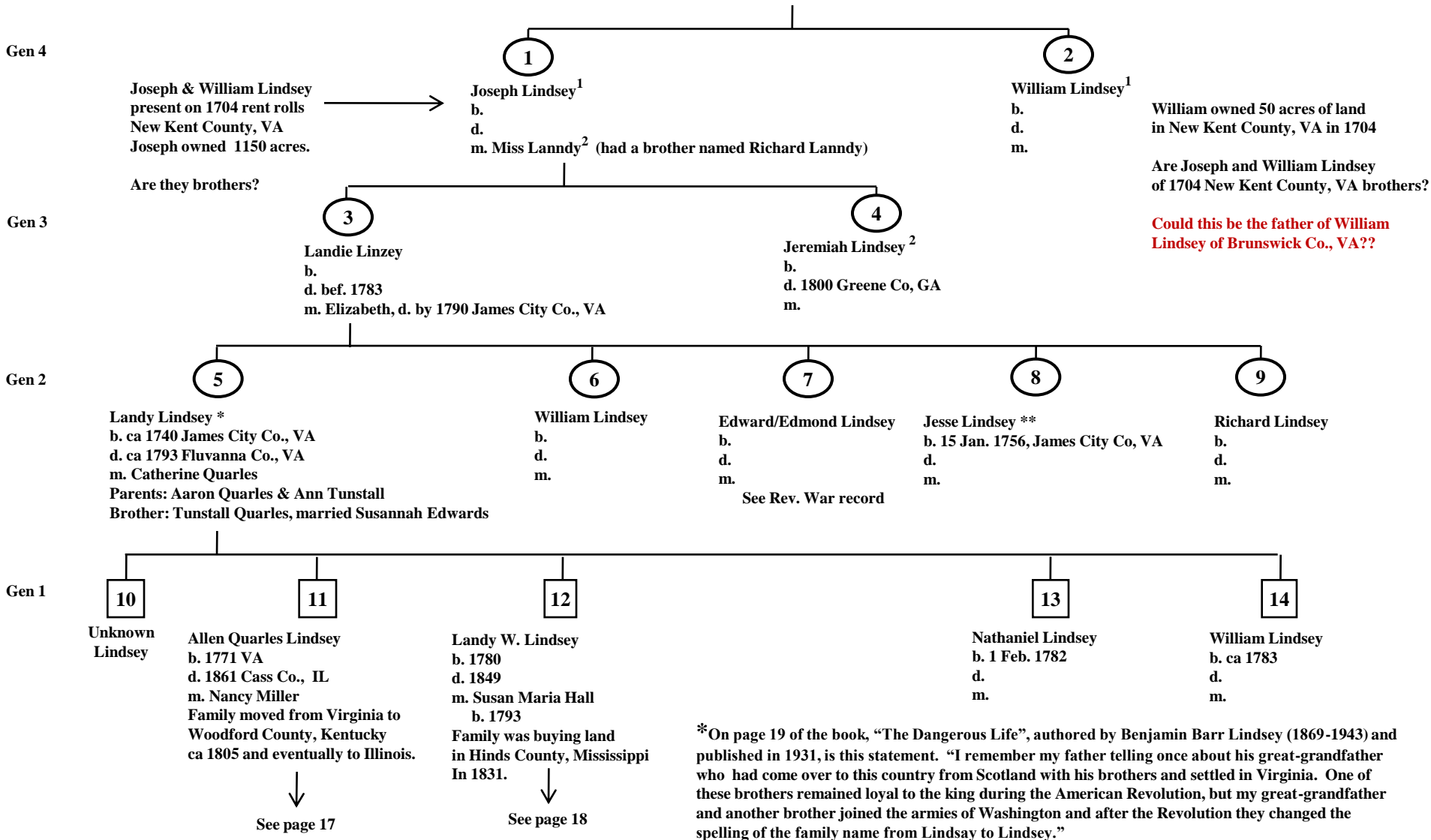
## Lindseys of Fluvanna County, VA - Expanded Lineage # 12 ( Page 18 of 20 )



# Lindsay/Lindsey/Linzey DNA Group 3

## Lindseys of James City County and Fluvanna County, VA

### Hypothetical Expanded Lineage # 12



\*On page 19 of the book, "The Dangerous Life", authored by Benjamin Barr Lindsey (1869-1943) and published in 1931, is this statement. "I remember my father telling once about his great-grandfather who had come over to this country from Scotland with his brothers and settled in Virginia. One of these brothers remained loyal to the king during the American Revolution, but my great-grandfather and another brother joined the armies of Washington and after the Revolution they changed the spelling of the family name from Lindsay to Lindsey."

\*\* Baptism record St. Peter's Parish, New Kent Co., VA. In 1767 the boundary between James City county and New Kent county was altered which moved St. Peter's parish from James City county to New Kent county.